

# Turbo-Cool® 860 Specifications

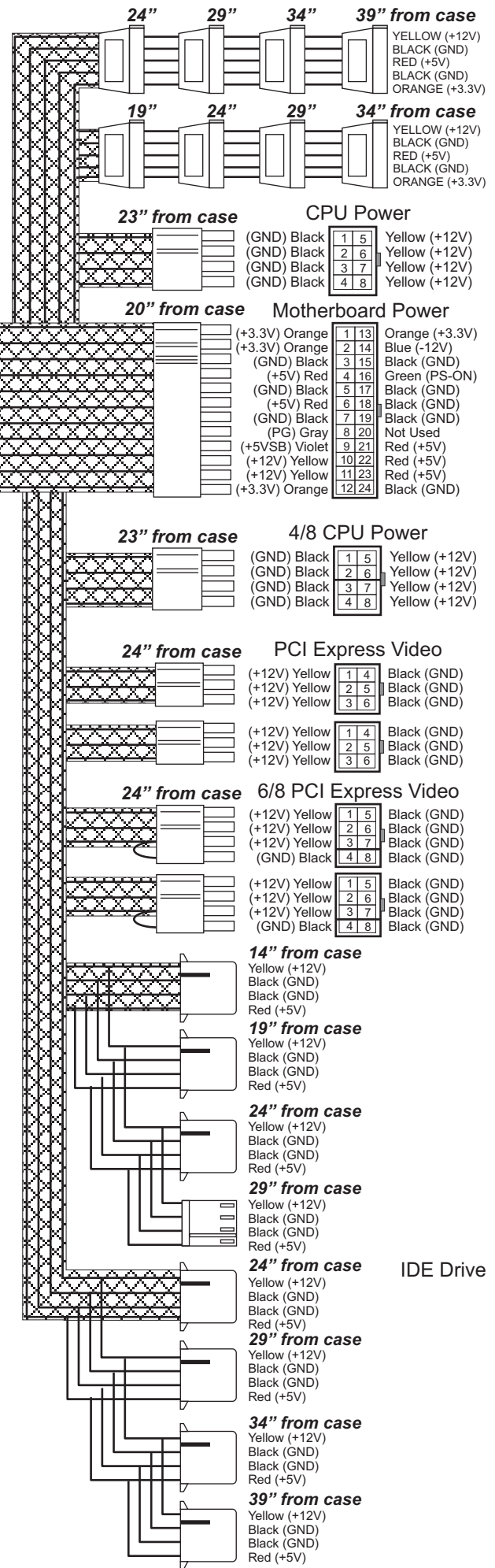
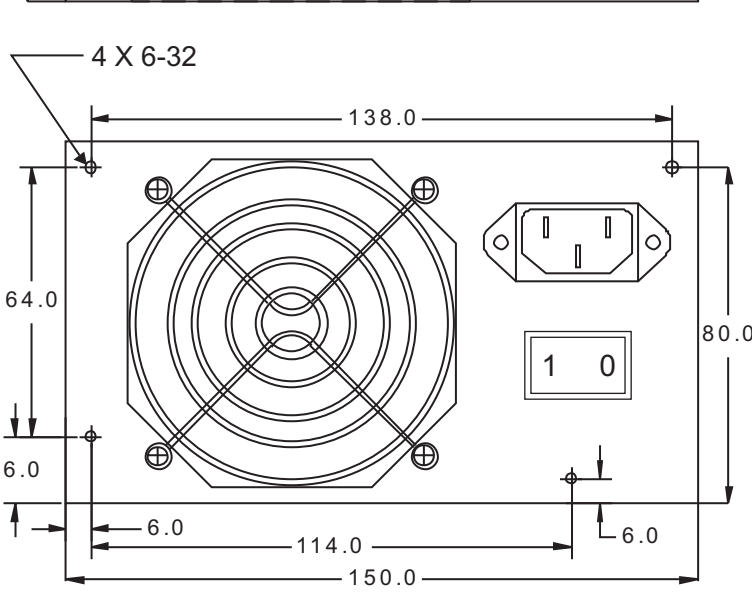
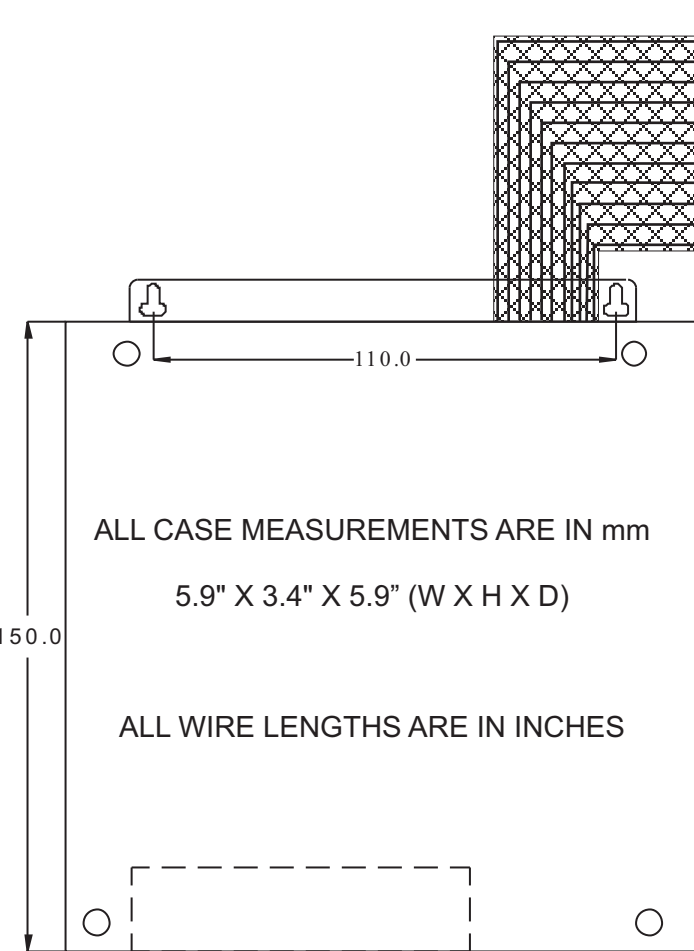
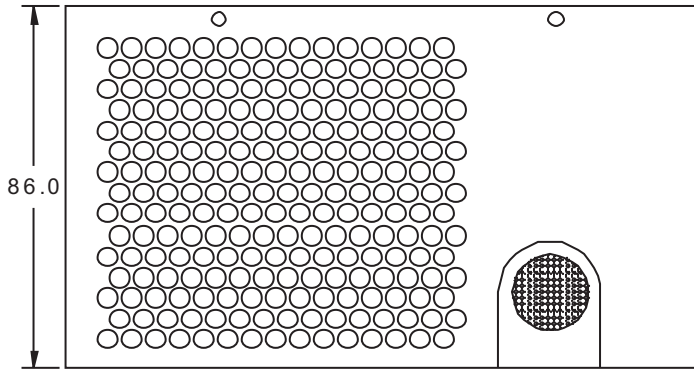
<b>AC INPUT</b>	
Operating Range:	90-264 VAC .985 power factor
Frequency:	47-63Hz
Current:	12A @ 115V
Efficiency:	85% (typical)
EMI:	FCC-B, CE
<b>DC OUTPUT</b>	
Output:	+5V @ 26A +12V@ 64A (70A peak) -12V @ 0.8A +3.3V @ 22A +5VSB @ 3A continuous power = 860W peak power = 930W
Regulation:	1.5% (+3.3V, +5V, +12V) 5% (-12V)
Ripple:	1% (p-p)
Hold Time:	32ms
PG Delay:	300ms
<b>SAFETY</b>	
OV Protection:	+3.3V, +5V, +12V
OC Protection:	+3.3V, +5V, ±12V
Agency Approval:	UL/ULC/CE/TUV/RoHS
<b>ENVIRONMENTAL</b>	
Temperature:	0° - 50°C
Humidity:	10% - 90% RH
Fan Type:	30 - 52 CFM ball-bearing
Noise:	32 - 44dB(A)
<b>MISCELLANEOUS</b>	
Compatibility:	NVIDIA® SLI™
M/B Connectors:	24-pin, 8-pin, 4/8-pin
Graphic Connectors:	Two 6-pin and two 6/8-pin PCI-E
Drive Connectors:	16 (8 SATA, 7 Molex, 1 mini)
MTBF:	200,000 hrs (full load, 40C)
Warranty:	7 Years



www.pcpowercooling.com • 5995 Avenida Encinas, Carlsbad, CA 92008 • (760) 931-5700 • (800) 722-6555

Reviews, specifications, and pricing available on website. NVIDIA and SLI are registered trademarks and trademarks of NVIDIA Corporation. Turbo-Cool and PC Power and Cooling are registered trademarks of PC Power & Cooling, Inc. ©2007

# MECHANICAL DRAWING: TURBO-COOL 860W



Serial ATA

IDE Drive