

Silencer® 470 Dell Power Supply Specifications

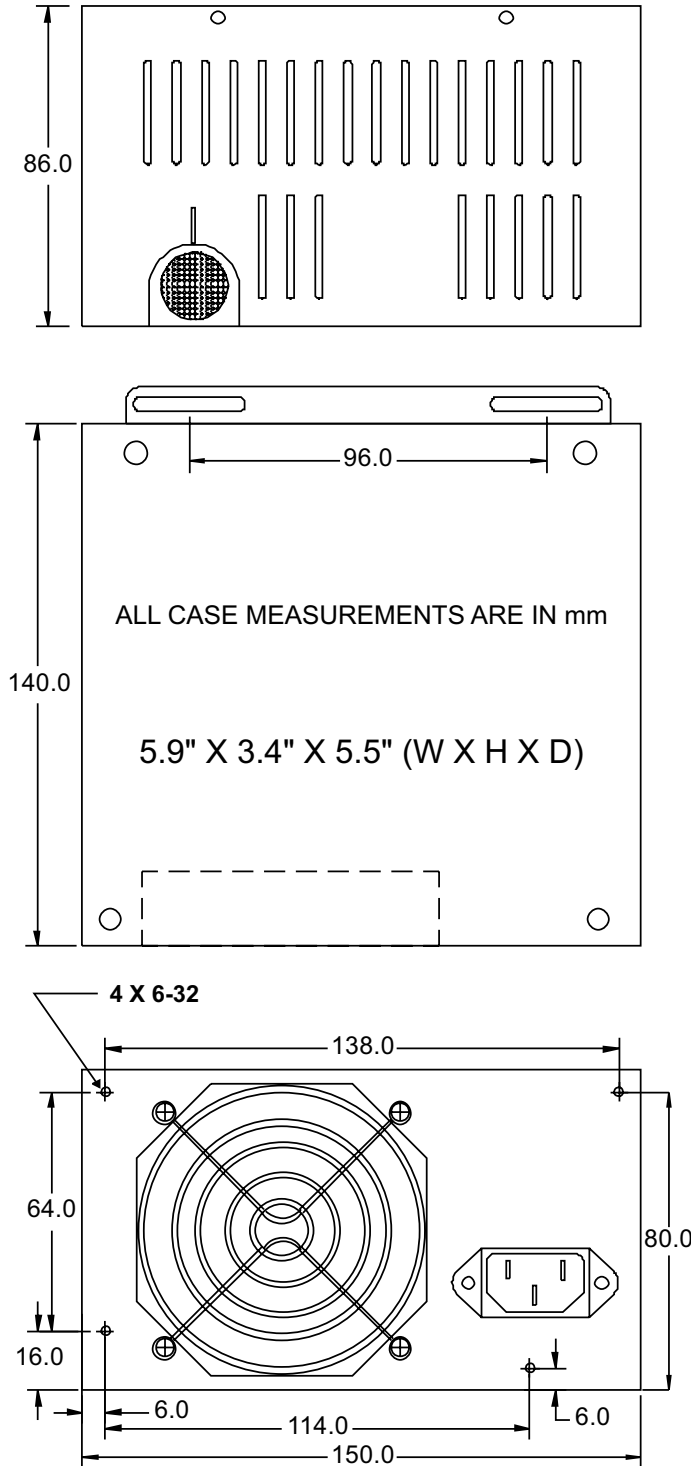
AC INPUT	
Operating Range:	90-264 VAC .99 power factor
Frequency:	47-63Hz
Current:	8A
Efficiency:	74%
EMI:	FCC-B, CE
DC OUTPUT	
Output:	+5V @ 32A +12V @ 26A -12V @ 0.8A +3.3V @ 28A +5VSB @ 2A continuous power = 470W peak power = 520W
Regulation:	5% (+3.3V, +5V, +12V) 10% (-12V)
Ripple:	1% (p-p)
Hold Time:	16ms
PG Delay:	300ms
SAFETY	
OV Protection:	+3.3V, +5V, +12V
OC Protection:	135%
Agency Approval:	UL/ULC/CE/CB
ENVIRONMENTAL	
Temperature:	0° - 40°C
Humidity:	10% - 90% RH
Fan Type:	22 - 34 CFM ball-bearing
Noise:	20 - 35dB(A)
MISCELLANEOUS	
Compatibility:	See Dell model list
M/B Connectors:	Dell 24-pin, P4
Drive Connectors:	9 (3 SATA, 1 mini)
MTBF:	100,000 hours
Warranty:	3 Years

PC POWER & COOLING, INC.®
High-Performance Computer Power Supplies Since 1985

www.pcpowercooling.com • 5995 Avenida Encinas, Carlsbad, CA 92008 • (760) 931-5700 • (800) 722-6555

Reviews, specifications, and pricing available on website. Turbo-Cool and PC Power and Cooling are registered trademarks of PC Power & Cooling, Inc. ©2007

Silencer[®] 470 Dell Power Supply Dimensions



PC POWER & COOLING, INC.[®]
High-Performance Computer Power Supplies Since 1985

www.pcpowercooling.com • 5995 Avenida Encinas, Carlsbad, CA 92008 • (760) 931-5700 • (800) 722-6555

Reviews, specifications, and pricing available on website. Turbo-Cool and PC Power and Cooling are registered trademarks of PC Power & Cooling, Inc. ©2007