

Silencer® 750 Quad Specifications

AC INPUT	
Operating Range:	90-264 VAC .99 power factor
Frequency:	47-63Hz
Current:	12A
Efficiency:	83%
EMI:	FCC-B, CE
DC OUTPUT	
Output:	+5V @ 30A +12V @ 60A -12V @ 0.8A +3.3V @ 24A +5VSB @ 3A continuous power = 750W peak power = 825W
Regulation:	3% (+3.3V, +5V, +12V) 5% (-12V)
Ripple:	1% (p-p)
Hold Time:	16ms
PG Delay:	300ms
SAFETY	
OV Protection:	+3.3V, +5V, +12V
OC Protection:	135% OPP
Agency Approval:	UL/ULC/CE/CB/RoHS
ENVIRONMENTAL	
Temperature:	0° - 40°C
Humidity:	20% - 80% RH
Fan Type:	22 - 55 CFM ball-bearing
Noise:	26 - 40dB(A)
MISCELLANEOUS	
Compatibility:	NVIDIA® SLI™ certified
M/B Connectors:	24-pin, 8-pin, 4-pin, quad 6-pin video
Drive Connectors:	15 (6 SATA, 8 Molex, 1 mini)
MTBF:	100,000 hours
Warranty:	3 Years

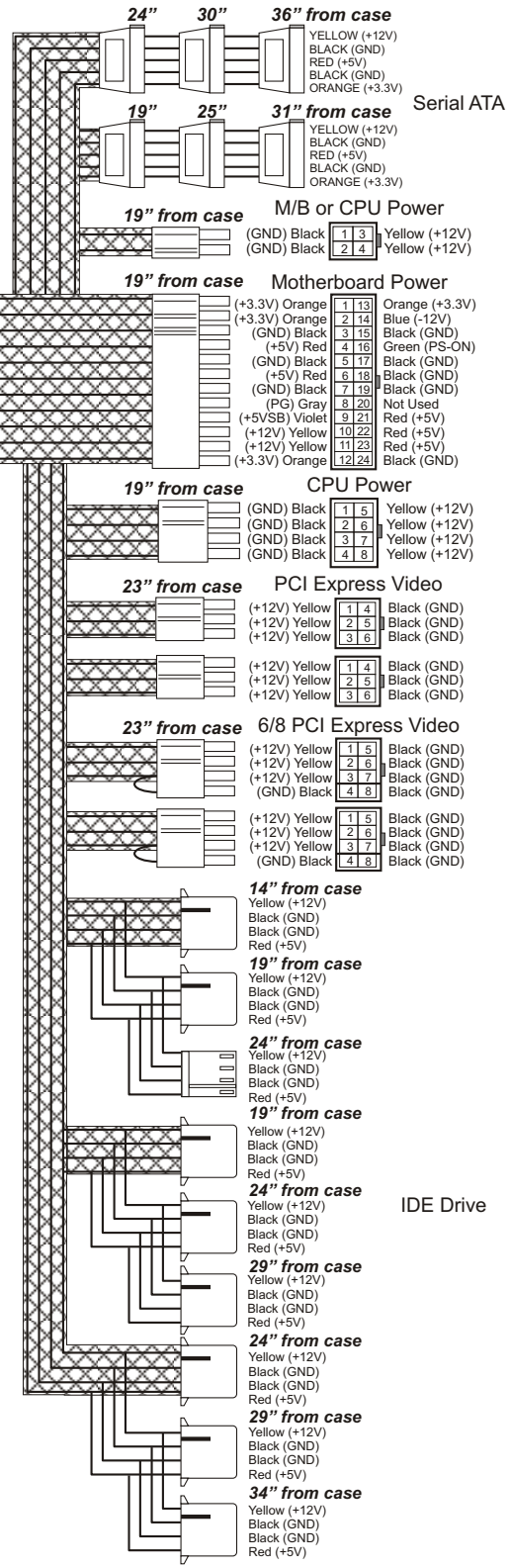
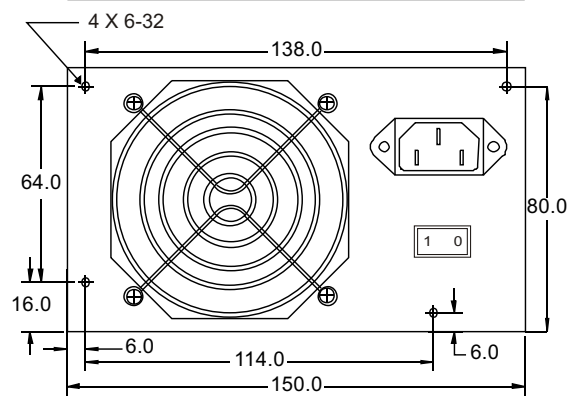
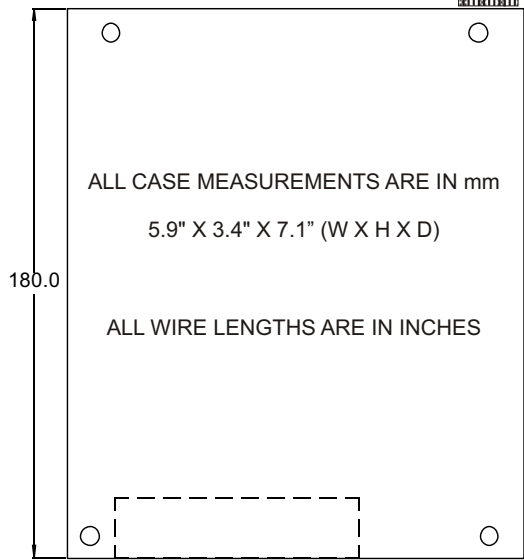
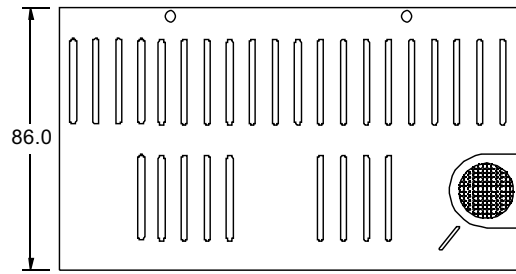
PC POWER & COOLING, INC.®
High-Performance Computer Power Supplies Since 1985

www.pcpowercooling.com • 5995 Avenida Encinas, Carlsbad, CA 92008 • (760) 931-5700 • (800) 722-6555

Reviews, specifications, and pricing available on website. NVIDIA and SLI are registered trademarks and trademarks of NVIDIA Corporation. Silencer and PC Power and Cooling are registered trademarks of PC Power & Cooling, Inc. ©2007

Silencer[®] 750 Quad Power Supply Dimensions

MECHANICAL DRAWING: SILENCER 750 QUAD



PC POWER & COOLING, INC.[®]
High-Performance Computer Power Supplies Since 1985

www.pcpowercooling.com • 5995 Avenida Encinas, Carlsbad, CA 92008 • (760) 931-5700 • (800) 722-6555

Reviews, specifications, and pricing available on website. Silencer and PC Power and Cooling are registered trademarks of PC Power & Cooling, Inc. ©2007