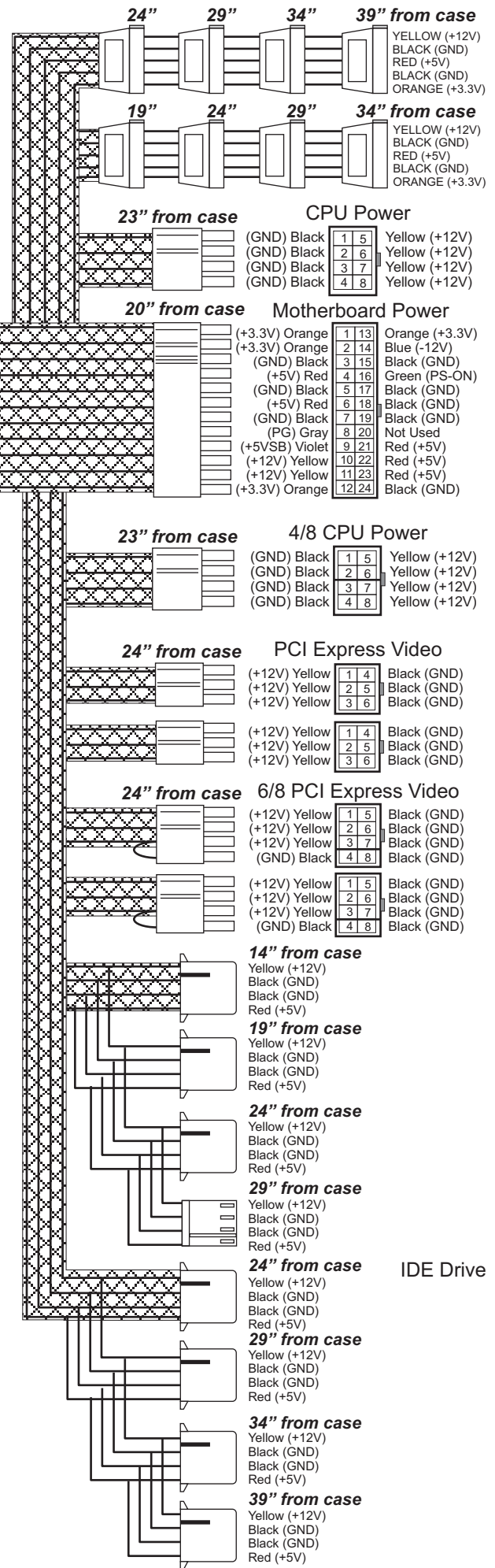
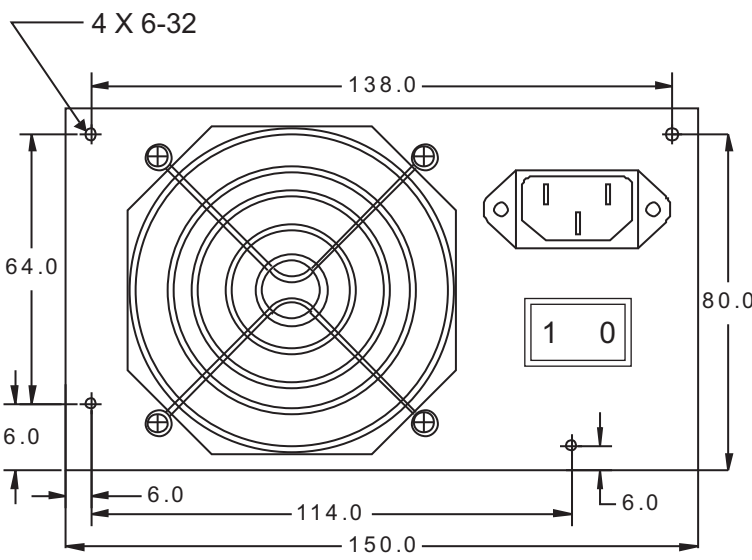
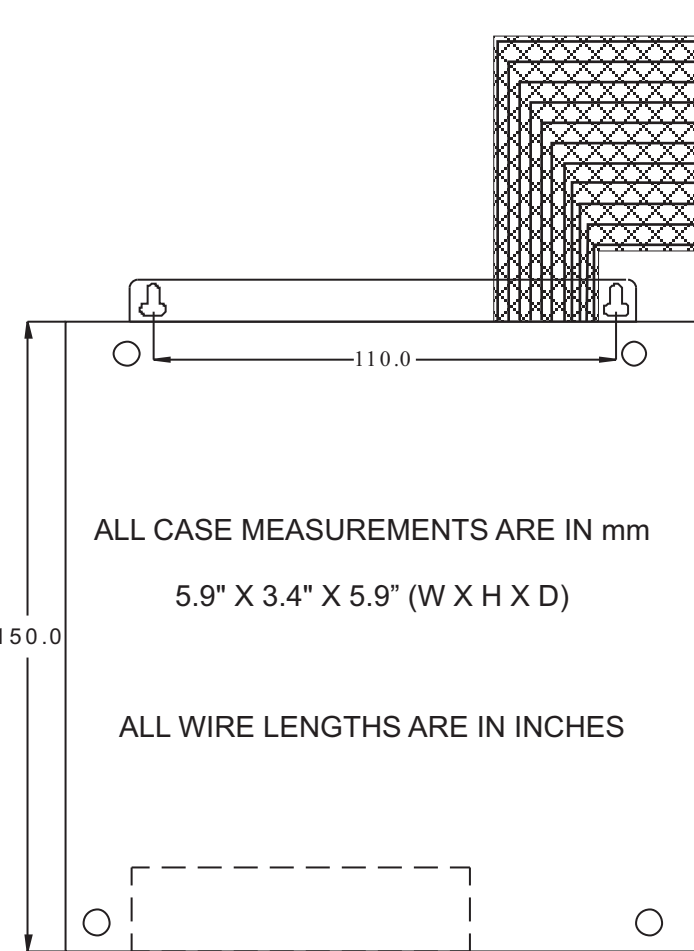
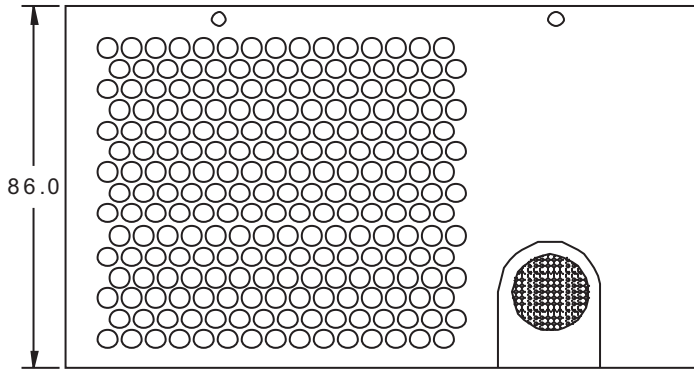
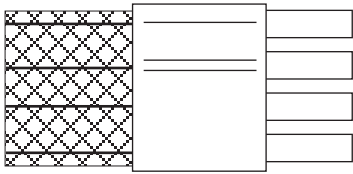


# MECHANICAL DRAWING: TURBO-COOL 860W



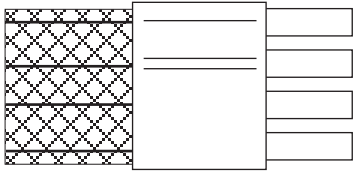
Serial ATA

## CPU Power



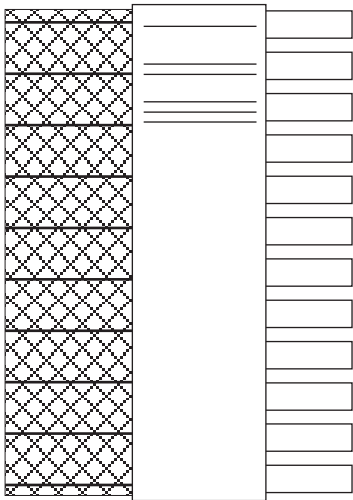
(GND) Black	1	5	Yellow (+12V)
(GND) Black	2	6	Yellow (+12V)
(GND) Black	3	7	Yellow (+12V)
(GND) Black	4	8	Yellow (+12V)

## 4/8 CPU Power



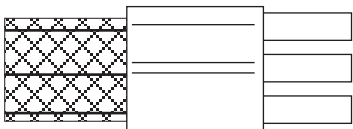
(GND) Black	1	5	Yellow (+12V)
(GND) Black	2	6	Yellow (+12V)
(GND) Black	3	7	Yellow (+12V)
(GND) Black	4	8	Yellow (+12V)

## Motherboard Power

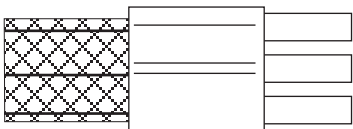


(+3.3V) Orange	1	13	Orange (+3.3V)
(+3.3V) Orange	2	14	Blue (-12V)
(GND) Black	3	15	Black (GND)
(+5V) Red	4	16	Green (PS-ON)
(GND) Black	5	17	Black (GND)
(+5V) Red	6	18	Black (GND)
(GND) Black	7	19	Black (GND)
(PG) Gray	8	20	Not Used
(+5VSB) Violet	9	21	Red (+5V)
(+12V) Yellow	10	22	Red (+5V)
(+12V) Yellow	11	23	Red (+5V)
(+3.3V) Orange	12	24	Black (GND)

## PCI Express Video

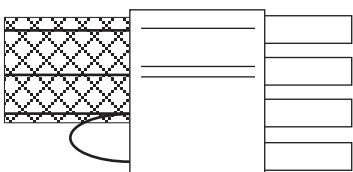


(+12V) Yellow	1	4	Black (GND)
(+12V) Yellow	2	5	Black (GND)
(+12V) Yellow	3	6	Black (GND)

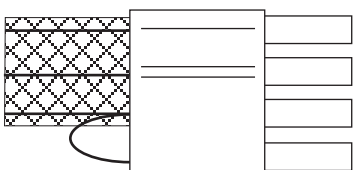


(+12V) Yellow	1	4	Black (GND)
(+12V) Yellow	2	5	Black (GND)
(+12V) Yellow	3	6	Black (GND)

## 6/8 PCI Express Video



(+12V) Yellow	1	5	Black (GND)
(+12V) Yellow	2	6	Black (GND)
(+12V) Yellow	3	7	Black (GND)
(GND) Black	4	8	Black (GND)



(+12V) Yellow	1	5	Black (GND)
(+12V) Yellow	2	6	Black (GND)
(+12V) Yellow	3	7	Black (GND)
(GND) Black	4	8	Black (GND)